



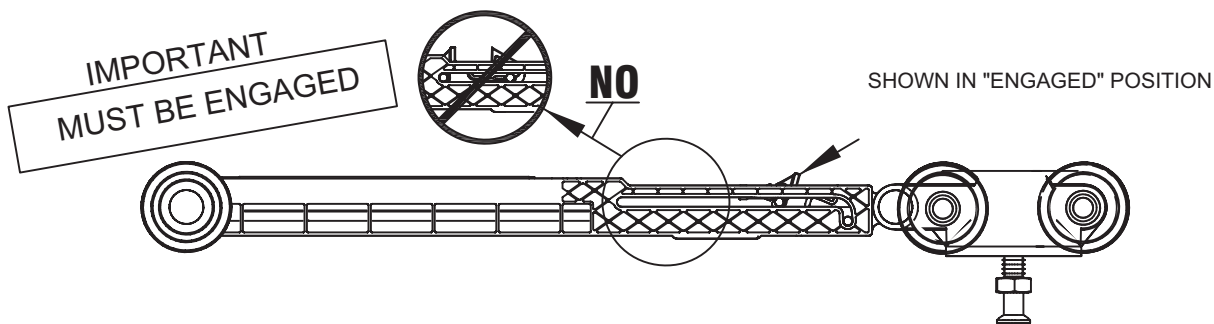
## Pocket Door Soft Close Installation Instructions

**IMPORTANT - THE SOFT CLOSE ADDON CAN ONLY BE USED ON DOOR PANELS 16" WIDE OR GREATER**

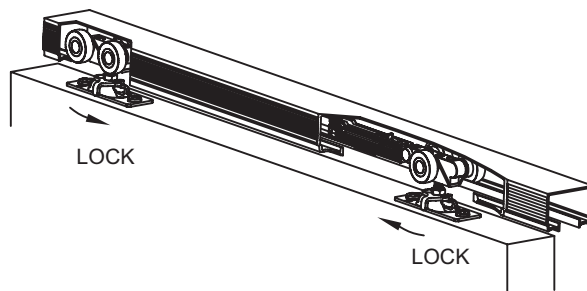
**Note:** If you encounter any problems with the package and/or the following installation, please email us at [info@doubledw.com](mailto:info@doubledw.com) and include your order id.

1. If Track is already installed, disconnect Hangers from Door Plates and remove door. Remove both Hangers from track – Remove Door Plates from door.
2. Attach Door Plates 2-1/4" from door edge.
3. Engage Soft Close Dampener by pushing Dampener trigger toward 4 Wheel Roller Hanger.
 

**IMPORTANT - DAMPENER MUST BE ENGAGED** or Soft Close will **NOT** work. Soft Close Dampener may be **DAMAGED** if installed incorrectly. Door will have to be removed and installation will have to begin again.
4. Insert Soft Close into track – 4 Wheel Roller Hanger goes into Track first.



### 5. Hang Door



6. Slide door away from end of track (check to make sure all track screws are flat against track and does not interfere with movement of dampener hanger) and install Actuator Arm into track, with back of Actuator Arm 1-3/4" or desired position from Jamb. **HAND TIGHTEN** (do not use power drill) Actuator Arm on track. Check to make sure Arm stayed straight in track. Slowly close door, checking to make sure door touches Jamb, if not. Slide door away from Jamb and readjust Actuator Arm. Slowly close door again, checking to make sure soft close is working properly. Once confirmed, begin using door normally.

