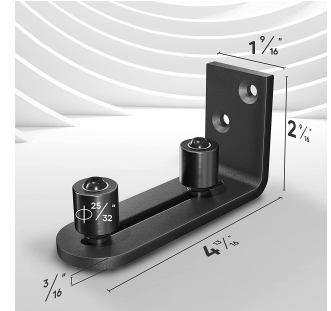


Barn Door Adjustable Roller Floor Guide Installation Instructions

Note: If you encounter any problems with the package and/or the following installation, please email us at info@doubledw.com and include your order id.

Included Parts List:

- 1 x Adjustable Roller Floor Guide
- 2 x Screws



Step 1: Determine Mounting Location

- The roller guide sits on the floor and attaches to the wall and/or molding at the edge of the opening where your barn door overlaps the opening side wall. Mark the location of the mounting holes with a pencil and predrill screw holes with an 1/8" drill bit.

NOTE: The door should stay inside of the roller guide at all times when the door is open or closed.



Step 2: Install the Adjustable Roller Floor Guide

- Screw the adjustable roller floor guide to the wall with the provided screws
- Adjust the position of the wheel(s) according to the door thickness and hanging position of the door

Usage Statement:

Use of excessive force when opening, and closing, the door(s) may result in damage to the hardware.